



Pro Scale® Lighting Installation Kit - TRX-4® Sport

Covers Part #8083

Kit contents:

- Distribution block mount (1)
- Reverse light lens, left & right
- Turn signal harness (1)
- Reverse lights LED wiring harness (1)
- Jumper (1)
- LED front bumper light bar high/low adapter (1)
- LED roof light bar high/low adapter (1)
- 2.6x8mm button-head cap screws (2)
- Double-sided adhesive foam tape
- Zip tie mount (3)
- Zip ties (5)

Tools required:

- 2.0mm hex wrench

Installation

This kit contains the installation components necessary to adapt the part #8085 Sport LED Light Kit for full compatibility with the Pro Scale Advanced Lighting Control system, part #6591 (part #8085 and 6591 sold separately).

Important Note: If your model came with factory installed LED lights and the headlights harness has been routed on the driver side (left side) of your truck body, the harness will need to be moved to the passenger side (right side) for correct turn signal orientation with the Pro Scale® Advanced Lighting Control System.

1. Remove the LEDs from the headlight receptacles. **Note:** The clips in the LED receptacles are flexible to allow easy removal of the LEDs. Open the clips with a small flat blade screwdriver instead of pulling on the wires.
2. Remove the 2.5x10mm button-head screws from the center circuit board to remove it from the truck body.
3. Reinstall the circuit board with the headlights harness exiting on the passenger side (right side).
4. Install the included zip tie mounts and use zip ties to secure the wiring to the body (see Body Wiring Diagram on page 4).



• If the 8085 LED light kit has already been installed, it will be necessary to remove the existing distribution block and mount in the body and install the new Pro Scale Lighting Distribution Block (part #6593, included with part #6591) using the new distribution block mount supplied with this kit. These instructions assume the 8085 LED Light Kit has already been installed.

• If you are installing the 8085 LED light kit for the first time, then follow the instructions included with the LED light kit except use the Pro Scale Lighting Distribution Block along with the mounting bracket supplied with this kit.

In either case above, you will also install the reverse lights and turn signal harnesses supplied with this kit alongside the tail light harness in the body. **See the important note above regarding wire routing. Also, see the wiring diagrams on the following pages for supplemental information.**

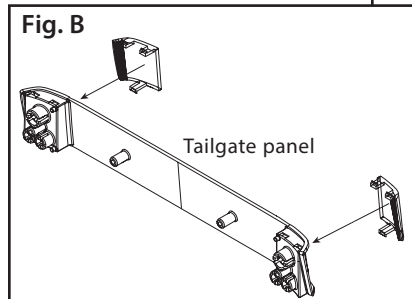
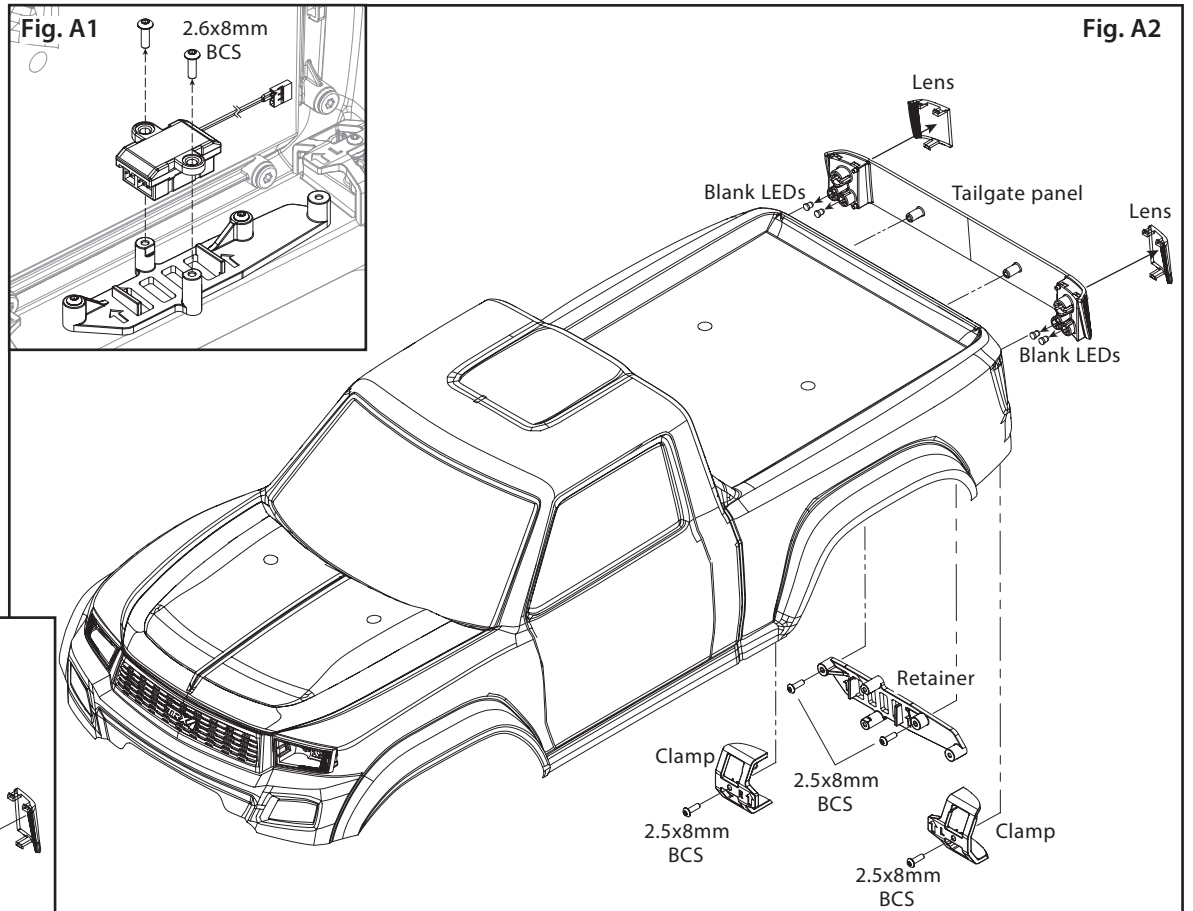
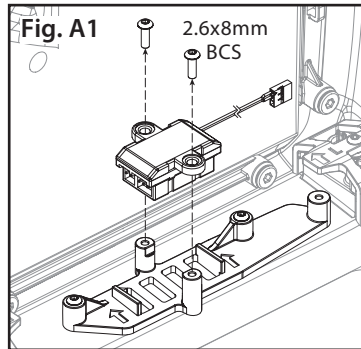
1. Remove the 2.6x8mm button-head screws (2) to remove the installed distribution block from the tailgate panel retainer on the truck body (Fig. A1).

2. Unplug the installed LED light wire harness connectors from the existing distribution block. Unplug the roof light bar and scene lights harnesses from the 4-in-2 wire harness adapter (if installed). Discard the adapter.

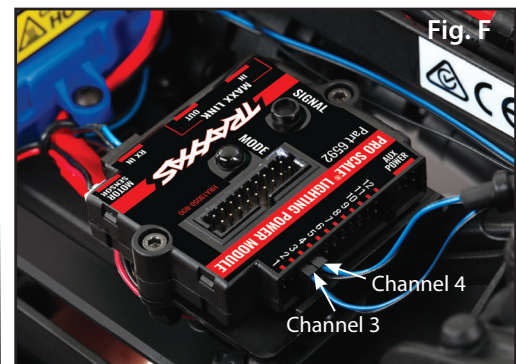
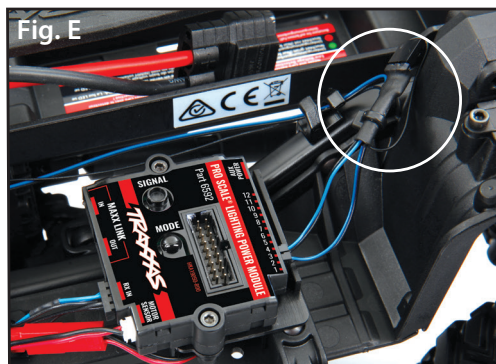
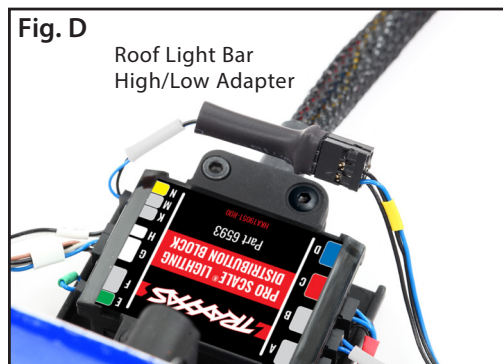
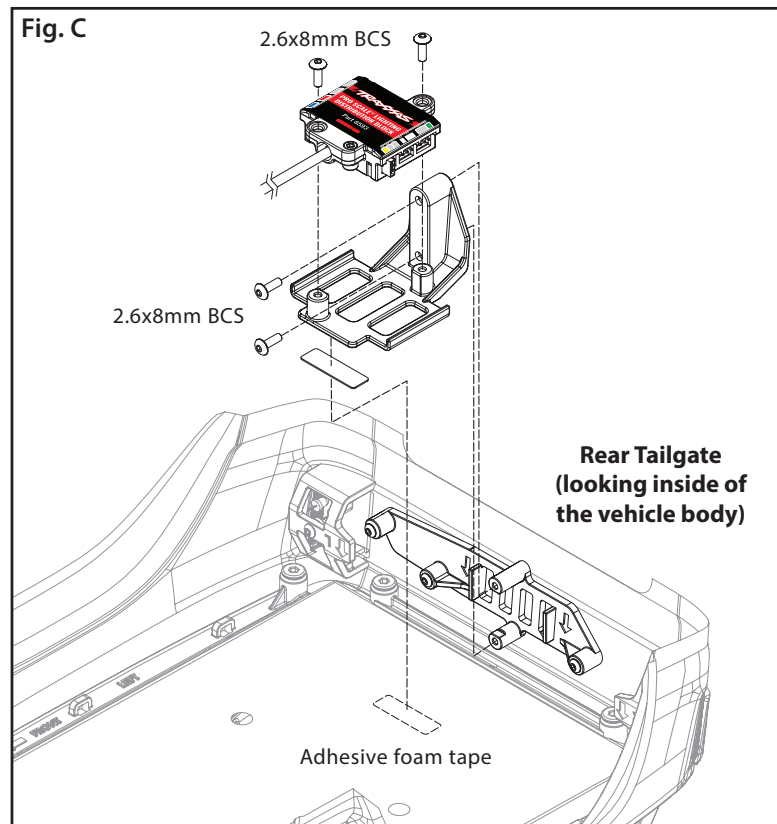
3. Remove the tailgate panel by removing the 2.5x8mm BCS (4) from the retainer and tail light clamps (Fig. A2).

4. Using a small flat blade screwdriver, remove the red lens and blank reverse and turn signal LEDs from the tailgate panel (Fig. A2).

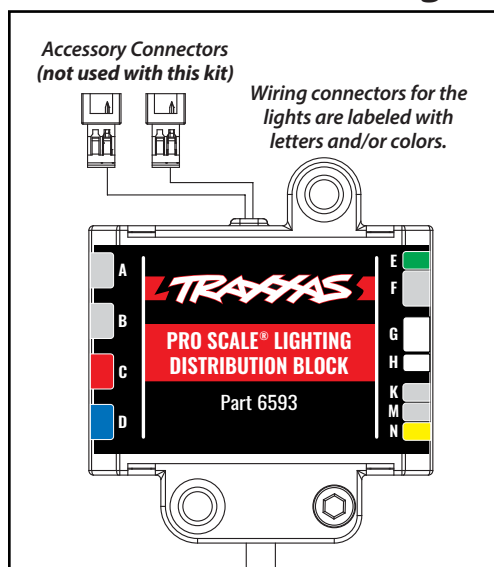
5. Install the included clear reverse light lens (left and right) (Fig. B).



- Reinstall the tailgate panel, retainer, and clamps using the screws removed in step 1.
- Peel the backing from one side of the included adhesive foam tape and attach it to the underside of the distribution block mount as shown in Fig. C. *Do not remove the backing from the other side of the tape yet.*
- Install the distribution block mount on the tailgate panel retainer and secure it with the 2.6x8 mm button-head screws (2) (Fig. C).
- Gently flex the body away from the distribution block mount and remove the backing from the other side of the foam tape. Press the body against the mount to adhere it to the mount.
- Insert the reverse light LEDs (harness labeled for distribution block port A) and turn signal LEDs (harness labeled for distribution block port B) into the receptacles in the tailgate panel and route both harnesses alongside the existing wiring in the truck body (*see Body Wiring Diagram on page 4 for correct LED locations; reverse lights to the inside, turn signals to the outside*). Remove the installed zip ties. New zip ties are provided to secure the wires after the new harnesses are added. Secure the wiring to the body in the locations provided. The zip ties do not need to be tight; allow some extra length for wire movement.
- Plug the LED roof light bar harness (with a yellow color band near the connector) (if installed) into the included high/low adapter (labeled for distribution block port M) (Fig. D) (*see Body Wiring Diagram on page 4*).
- Plug the connectors from the LED light wire harnesses and the high/low adapter on the truck body into the ports on the distribution block. Match the color band and/or letter indicator on the harnesses with the corresponding color/letter of each port on the distribution block (*see chart below*). Plug the scene lights harness (if installed) into port N. Install the included single jumper into port E.
- Use the included 2.6x8mm button-head screws (2) to secure the distribution block to the mount (Fig. C).
- Plug the rock light harness (if installed) into Channel 7 on the Pro Scale Lighting Power Module on the chassis (*see Chassis Wiring Diagram on page 3 for more detail*).
- If the front bumper light bar is installed on the chassis, plug the light bar wire harness connector (black wire only) into the included high/low adapter (Fig. E). Plug the other light bar wire harness connector (blue and black wires) into the channel 3 port and the high/low adapter connector into the Channel 4 port on the Pro Scale Lighting Power Module (Fig. F) (*see Chassis Wiring Diagram on page 3 for more detail*). Use zip ties and the existing wire clips to secure the wiring to the chassis rail.



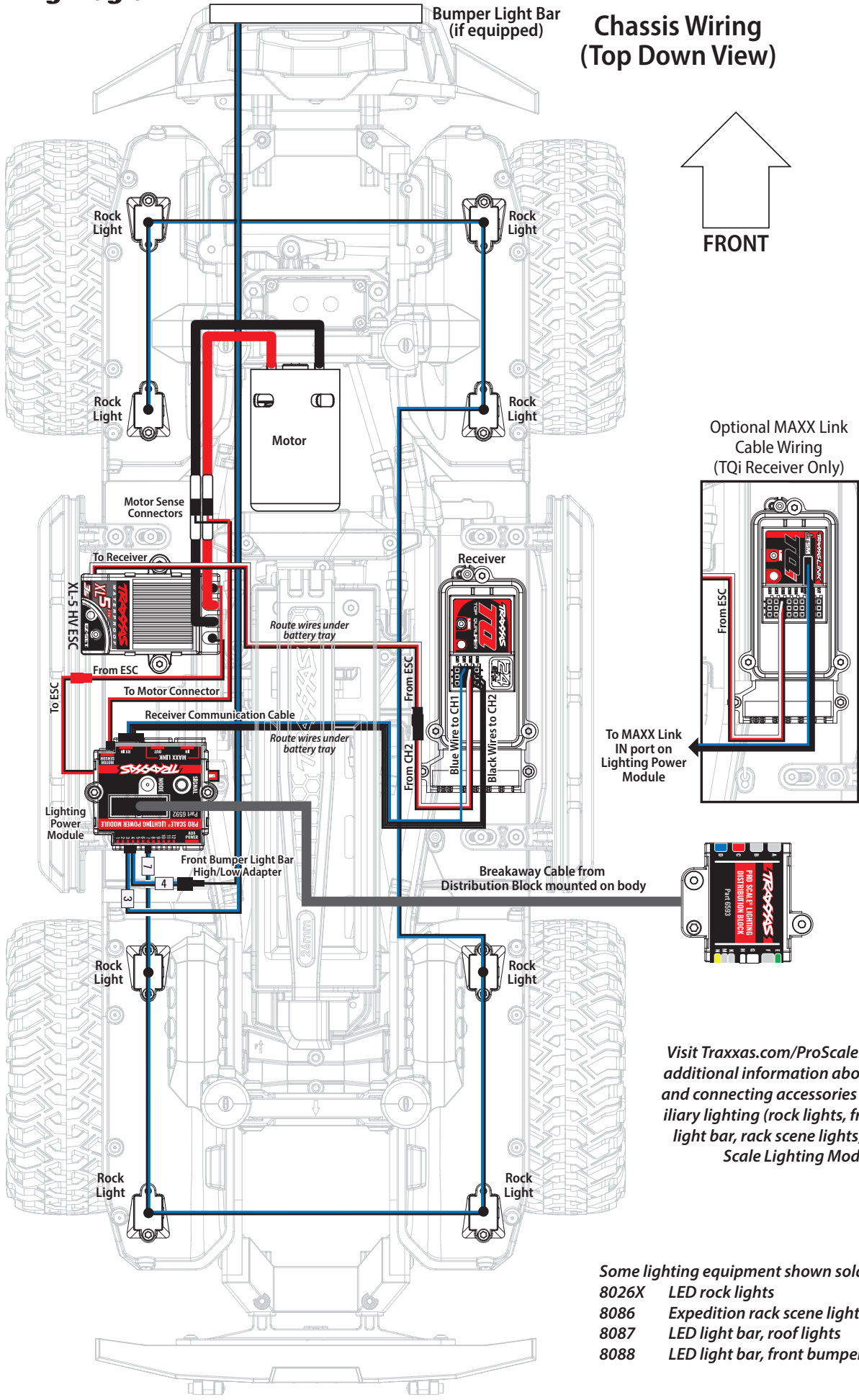
Distribution Block LED Light Harness Ports



Letter	Color	Description	Function
A	N/A	Reverse light harness	Back up light LEDs when vehicle is put in reverse
B	N/A	Rear turn signal harness	Rear turn signal LEDs
C	Red	Tail light harness	Tail light and brake light LEDs
E	Green	Rear independent turn signal jumper	Install jumper when using rear independent turn signals (separate amber LEDs)
G	White	Headlight assembly harness	Headlights and front marker light LEDs
H	White	Front turn signal harness	Front turn signal light LEDs
M	N/A	Light bar high/low harness	LED light bar that typically mounts to the roof of the vehicle
N	Yellow	Rock lights/scene lights assembly harness	Accessory LED lighting that mounts to the vehicle body or to the chassis underside (if equipped)

Chassis Wiring Diagram

Chassis Wiring (Top Down View)



Visit Traxxas.com/ProScaleLighting for additional information about installing and connecting accessories such as auxiliary lighting (rock lights, front bumper light bar, rack scene lights) to the Pro Scale Lighting Module.

- Some lighting equipment shown sold separately:
- 8026X LED rock lights
 - 8086 Expedition rack scene lights
 - 8087 LED light bar, roof lights
 - 8088 LED light bar, front bumper

Body Wiring Diagram

Body Wiring (viewed from the underside of the body)

